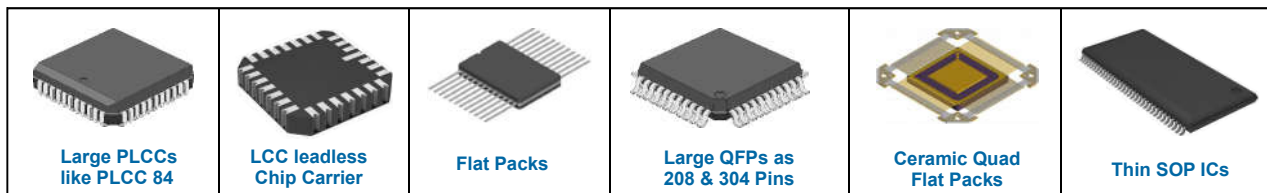


## lower cost version yet very powerful



### Wide range of Hot Air Nozzles are available to solder and desolder Fine-Pitch QFPs, PLCCs and SMD ICs up to 42.5x42.5mm size



### Features

- High heat power and high air flow volume provides easy and fast desoldering of large QFPs & PLCCs
- Variety of Hot Air Nozzles available for different sizes of SMD ICs like QFPs, PLCCs, SOPs.
- Push Buttons for precise temperature adjustment
- Precise temperature control, not affected by airflow
- Has a powerful maintenance-free **Brushless** Motor
- Airflow is adjustable with Push Buttons
- Suitable for desoldering leadfree components
- In-built feature to store 3 'favourite' Temperature & Air Flow settings in Channels "CH1, CH2 & Ch3".
- In-built password protection and key-lock functions
- Auto-sleep feature allows system to go into stand-by mode to prolong the life of heater.
- Auto cooling also prolongs the life of heater and protect the handle from heating

### Specifications

- Power : 1000 Watt
- Input Supply : 230VAC, 50Hz
- Temperature Range : 100°C ~500°C
- Airflow Range : 1 ~ 120 litre/min
- Dimension (approx.) : 188x245x135mm
- Weight (approx.) : 3.65 Kg

### Scope of Supply

- HAS6DW Main Power & Control Unit
- Hot Air Pencil
- Support Rack
- Pick-up Tool
- One Round Hot Air Nozzle

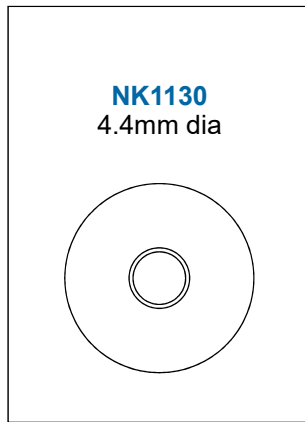
Warranty is 12 months from the date of invoice. It excludes all consumable parts as Heating Elements, Temperature Sensors, Hot Air Nozzles etc.

While the information contained herein in, has been carefully compiled to the best of our knowledge, nothing is intended as representation and warranty on our part; and no statement shall be construed as recommendation to infringe any of existing patents. We accept no liability of whatsoever for any faults and errors in the information contained herein. Contents of this catalogue and specifications of the products, are subject to change without notice due to continuous improvements.

shown trademarks are property of their respective owners.



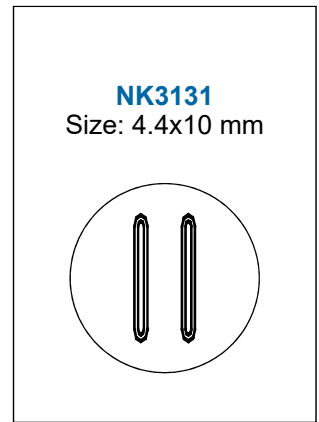
Suitable for SMD Chips



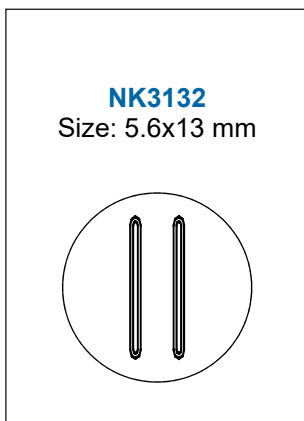
Suitable for SOTs



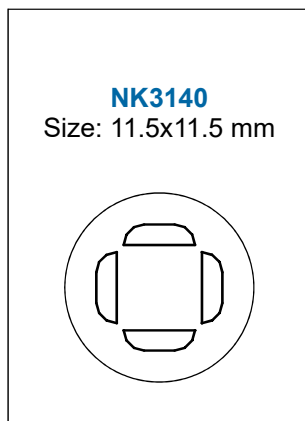
Suitable for SOTs



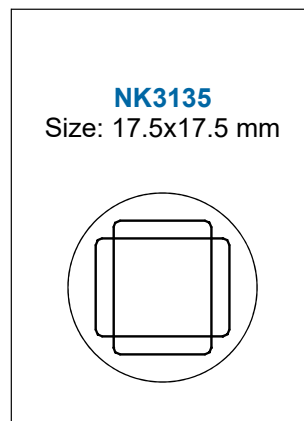
Suitable for SOP 8



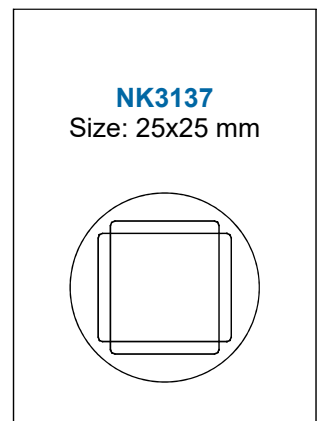
Suitable for SO20



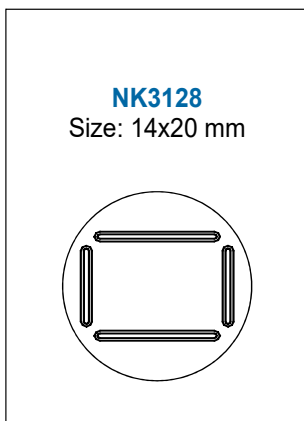
Suitable for PLCC 28



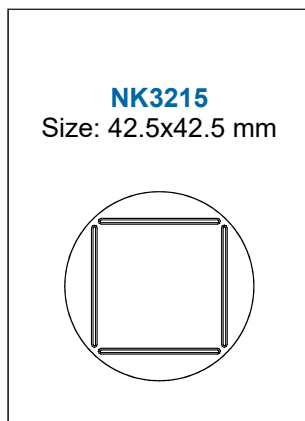
Suitable for PLCC 44



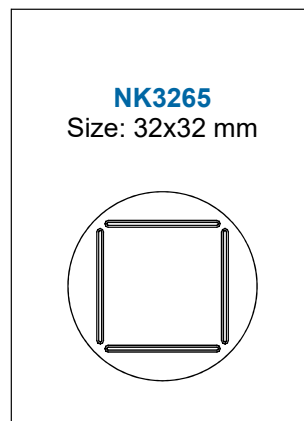
Suitable for PLCC 68



Suitable for QFP 80/100



Suitable for CQFP304



Suitable for QFP208



Suitable for QFP240

shown trademarks are property of their respective owners.

While the information contained herein in, has been carefully compiled to the best of our knowledge, nothing is intended as representation and warranty on our part; and no statement shall be construed as recommendation to infringe any of existing patents. We accept no liability of whatsoever for any faults and errors in the information contained herein. Contents of this catalogue and specifications of the products, are subject to change without notice due to continuous improvements.