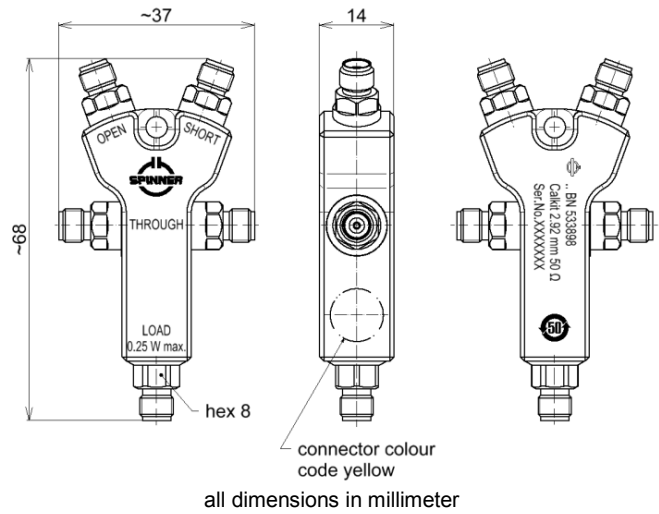


OSLT Compact Calibration Kit (4-in-1) || BN 533898



Radio frequency characteristics

Interface type		2.92 mm socket per IEEE Std 287
Frequency range		DC to 40 GHz
THROUGH	Return loss, min.	30 dB @ DC to 4 GHz 26 dB @ 4 to 26.5 GHz 21 dB @ 26.5 to 40 GHz
	Insertion loss, max.	$0.04 \text{ dB} \times \sqrt{f \text{ (GHz)}}$
OPEN	Phase deviation, max.	1.5 deg. @ DC to 4 GHz
		2.5 deg. @ 4 to 10 GHz
		4.5 deg. @ 10 to 26.5 GHz
		5.0 deg. @ 26.5 to 40 GHz
SHORT	Phase deviation, max.	1.5 deg. @ DC to 4 GHz
		2.0 deg. @ 4 to 10 GHz
		3.5 deg. @ 10 to 26.5 GHz
		4.5 deg. @ 26.5 to 40 GHz
LOAD	DC-resistance	$50 \Omega \pm 0.5 \Omega$
	Return loss, min.	39 dB @ DC to 4 GHz
		28 dB @ 10 to 26.5 GHz
		24 dB @ 26.5 to 40 GHz
Power rating, max.	0.25 W	

OSLT Compact Calibration Kit (4-in-1) || BN 533898

Calibration Data

Format		Agilent / Anritsu	Rohde & Schwarz
THROUGH	Electrical delay / length	116.114 ps	34.81 mm
OPEN	C0	$-0.3583 \times 10^{-15} \text{ F}$	-0.3583 fF
	C1	$38.29 \times 10^{-27} \text{ F/Hz}$	0.03829 fF/GHz
	C2	$-3.48 \times 10^{-36} \text{ F/Hz}^2$	$-0.00348 \text{ fF}/(\text{GHz})^2$
	C3	$0.1235 \times 10^{-45} \text{ F/Hz}^3$	$0.0001235 \text{ fF}/(\text{GHz})^3$
	Offset	31.522 ps	9.45 mm
SHORT	L0	$-7.262 \times 10^{-12} \text{ H}$	-7.262 pH
	L1	$429.6 \times 10^{-24} \text{ H/Hz}$	0.4296 pH/GHz
	L2	$-16.71 \times 10^{-33} \text{ H/Hz}^2$	$-0.01671 \text{ pH}/(\text{GHz})^2$
	L3	$0.1882 \times 10^{-42} \text{ H/Hz}^3$	$0.0001882 \text{ pH}/(\text{GHz})^3$
	Offset	31.288 ps	9.38 mm
Offset loss		2.5 GΩ/s	

General mechanical data

Center conductor material / surface finish	CuBe age hardened, copper alloy / gold-plated
Outer conductor material / surface finish	CuBe / gold-plated
Insulation	cross linked polystyrene, PS
Other metallic parts / surface finish	aluminium / anodised (blue)
Weight, approx.	0.05 kg
Marking	laser engraving

Component Name	Toxic or Hazardous Substances and Elements					
	Pb	Hg	Cd	Cr 6+	PBB	PBDE
Metal parts	X	O	O	O	O	O

The environmental protection use period of 50 years is valid, if the product is used as intended.

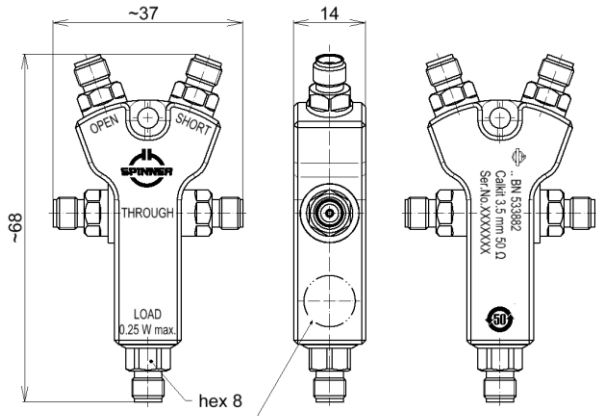
General environmental conditions

Operation	
Ambient temperature range	+18 to +28°C
Storage	
Ambient temperature range	-40 to +70°C (in line with EN 60068-2-1 and EN 60068-2-2)

Scope of delivery and accessories

Scope of delivery	calibration certificate, protective caps, protective bag, data sheet, handling instructions
-------------------	---

OSLT Compact Calibration Kit (4-in-1) || BN 533882



all dimensions in millimeter

Radio frequency characteristics

Interface type		3.5 mm socket per IEC 60169-23
Frequency range		DC to 26.5 GHz
THROUGH	Return loss, min.	34 dB @ DC to 5 GHz 30 dB @ 5 to 26.5 GHz
	Insertion loss, max.	0.035 dB x \sqrt{f} (GHz)
OPEN	Phase deviation, max.	1.5 deg. @ DC to 5 GHz
		3.0 deg. @ 5 to 15 GHz
		4.5 deg. @ 15 to 26.5 GHz
SHORT	Phase deviation, max.	1.0 deg. @ DC to 5 GHz
		2.5 deg. @ 5 to 15 GHz
		4.0 deg. @ 15 to 26.5 GHz
LOAD	DC-resistance	50 Ω \pm 0.5 Ω
	Return loss, min.	42 dB @ DC to 5 GHz
		36 dB @ 5 to 15 GHz
		32 dB @ 15 to 26.5 GHz
Power rating, max.	0.25 W	

OSLT Compact Calibration Kit (4-in-1) || BN 533882

Calibration Data

Format		Agilent / Anritsu	Rohde & Schwarz
THROUGH	Electrical delay / length	115.881 ps	34.74 mm
OPEN	C0	$3.695 \times 10^{-15} \text{ F}$	3.695 fF
	C1	$-625.6 \times 10^{-27} \text{ F/Hz}$	-0.6256 fF/GHz
	C2	$-2.2 \times 10^{-36} \text{ F/Hz}^2$	-0.0022 fF/(GHz) ²
	C3	$0.104 \times 10^{-45} \text{ F/Hz}^3$	0.000104 fF/(GHz) ³
	Offset	31.832 ps	9.54 mm
SHORT	L0	$-8.424 \times 10^{-12} \text{ H}$	-8.424 pH
	L1	$2912 \times 10^{-24} \text{ H/Hz}$	2.912 pH/GHz
	L2	$-217 \times 10^{-33} \text{ H/Hz}^2$	-0.217 pH/(GHz) ²
	L3	$4.51 \times 10^{-42} \text{ H/Hz}^3$	0.00451 pH/(GHz) ³
	Offset	30.581 ps	9.17 mm
Offset loss		2 GΩ/s	

General mechanical data

Center conductor material / surface finish	CuBe age hardened, copper alloy / gold-plated
Outer conductor material / surface finish	CuBe / gold-plated
Insulation	cross linked polystyrene, PS
Other metallic parts / surface finish	aluminium / anodised (blue)
Weight, approx.	0.05 kg
Marking	laser engraving

Component Name	Toxic or Hazardous Substances and Elements					
	Pb	Hg	Cd	Cr 6+	PBB	PBDE
Metal parts	X	O	O	O	O	O

The environmental protection use period of 50 years is valid, if the product is used as intended.

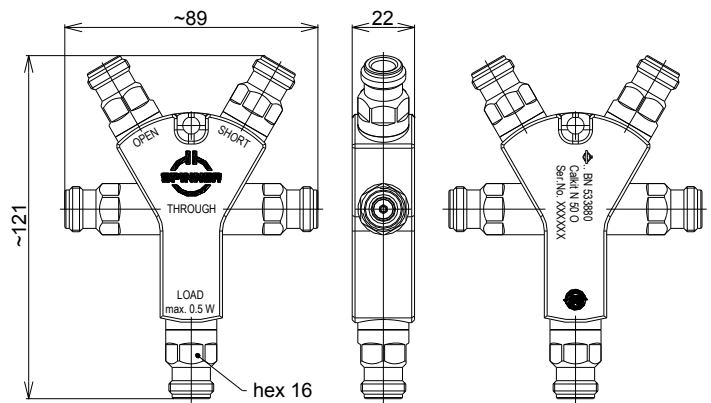
General environmental conditions

Operation	
Ambient temperature range	+18 to +28°C
Storage	
Ambient temperature range	-40 to +70°C (in line with EN 60068-2-1 and EN 60068-2-2)

Scope of delivery and accessories

Scope of delivery	calibration certificate, protective caps, protective bag, data sheet, handling instructions
-------------------	---

OSLT Compact Calibration Kit (4-in-1) || BN 533880



all dimensions in millimeter

Radio frequency characteristics

Interface type		N socket per IEC 61169-16
Frequency range		DC to 18 GHz
THROUGH	Return loss, min.	38 dB @ DC to 4 GHz 34 dB @ 4 to 8 GHz 28 dB @ 8 to 18 GHz
	Insertion loss, max.	$0.035 \text{ dB} \times \sqrt{f \text{ (GHz)}}$
OPEN	Phase deviation, max.	2.0 deg. @ DC to 6 GHz 3.0 deg. @ 6 to 9 GHz 4.0 deg. @ 9 to 18 GHz
SHORT	Phase deviation, max.	1.5 deg. @ DC to 6 GHz 2.5 deg. @ 6 to 9 GHz 3.0 deg. @ 9 to 18 GHz
LOAD	DC-resistance	$(50 \pm 0.5) \Omega$
	Return loss, min.	42 dB @ DC to 6 GHz
		35 dB @ 6 to 9 GHz
		32 dB @ 9 to 18 GHz
Power rating, max.	0.5 W	

OSLT Compact Calibration Kit (4-in-1) || BN 533880

Calibration Data

Format		Agilent / Anritsu	Rohde & Schwarz
THROUGH	Electrical delay / length	244.949 ps	73.43 mm
OPEN	C0	$0.8918 \times 10^{-15} \text{ F}$	0.8918 fF
	C1	$-1200 \times 10^{-27} \text{ F/Hz}$	-1.2 fF/GHz
	C2	$85.41 \times 10^{-36} \text{ F/Hz}^2$	$0.08541 \text{ fF}/(\text{GHz})^2$
	C3	$0.13 \times 10^{-45} \text{ F/Hz}^3$	$0.00013 \text{ fF}/(\text{GHz})^3$
	Offset	85.954 ps	25.77 mm
SHORT	L0	$16.9 \times 10^{-12} \text{ H}$	16.9 pH
	L1	$-5881 \times 10^{-24} \text{ H/Hz}$	-5.881 pH/GHz
	L2	$614.4 \times 10^{-33} \text{ H/Hz}^2$	$0.6144 \text{ pH}/(\text{GHz})^2$
	L3	$-18.52 \times 10^{-42} \text{ H/Hz}^3$	$-0.01852 \text{ pH}/(\text{GHz})^3$
	Offset	85.954 ps	25.77 mm

General mechanical data

Center conductor material / surface finish	CuBe age hardened, copper alloy / gold-plated
Outer conductor material / surface finish	copper alloy / gold-plated
Insulation	cross linked polystyrene, PMP
Other metallic parts / surface finish	aluminium / anodised (blue)
Weight, approx.	0.25 kg
Marking	laser engraving

Component Name	Toxic or Hazardous Substances and Elements					
	Pb	Hg	Cd	Cr 6+	PBB	PBDE
Metal parts	X	O	O	O	O	O

The environmental protection use period of 50 years is valid, if the product is used as intended.

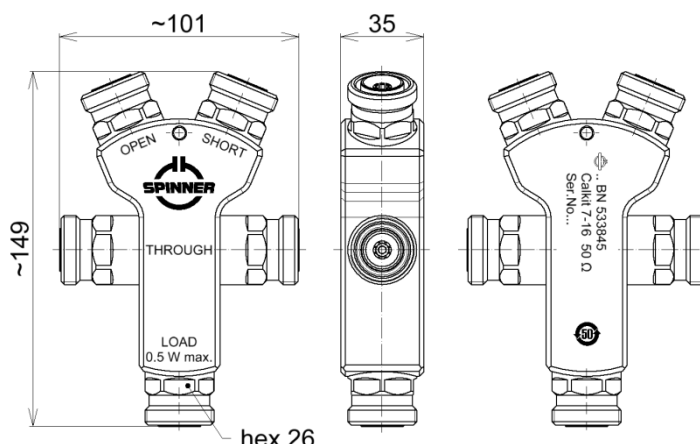
General environmental conditions

Operation	
Ambient temperature range	+18 to +28°C
Permissible temperature	
Ambient temperature range	+5 to +40°C
Storage	
Ambient temperature range	-40 to +75°C (in line with EN 60068-2-1 and EN 60068-2-2)

Scope of delivery and accessories

Scope of delivery	calibration certificate, protective caps, protective bag, data sheet, handling instructions
-------------------	---

OSLT Compact Calibration Kit (4-in-1) || BN 533845



all dimensions in millimeter

Radio frequency characteristics

Interface type		7-16 socket per IEC 61169-4
Frequency range		DC to 6 GHz
THROUGH	Return loss, min.	34 dB @ DC to 6 GHz
	Insertion loss, max.	0.1 dB @ DC to 6 GHz
OPEN	Phase deviation, max.	1.5 deg. @ DC to 6 GHz
SHORT	Phase deviation, max.	1 deg. @ DC to 6 GHz
LOAD	DC-resistance	50 Ω ±0.5 Ω
	Return loss, min.	40 dB @ DC to 6 GHz
	Power rating, max.	0.5 W

Calibration Data

Format		Agilent / Anritsu	Rohde & Schwarz
THROUGH	Electrical delay / length	375.627 ps	112.61 mm
OPEN	C0	$-8.724 \times 10^{-15} \text{ F}$	-8.724 fF
	C1	$2721 \times 10^{-27} \text{ F/Hz}$	2.721 fF/GHz
	C2	$-479.2 \times 10^{-36} \text{ F/Hz}^2$	$-0.4792 \text{ fF}/(\text{GHz})^2$
	C3	$67 \times 10^{-45} \text{ F/Hz}^3$	$0.067 \text{ fF}/(\text{GHz})^3$
	Offset	89.195 ps	26.74 mm
SHORT	L0	$13.22 \times 10^{-12} \text{ H}$	13.22 pH
	L1	$-4292 \times 10^{-24} \text{ H/Hz}$	-4.292 pH/GHz
	L2	$337 \times 10^{-33} \text{ H/Hz}^2$	$0.337 \text{ pH}/(\text{GHz})^2$
	L3	$8.35 \times 10^{-42} \text{ H/Hz}^3$	$0.00835 \text{ pH}/(\text{GHz})^3$
	Offset	88.761 ps	26.61 mm

OSLT Compact Calibration Kit (4-in-1) || BN 533845

General mechanical data

Center conductor material / surface finish	CuBe age hardened, copper alloy / gold-plated
Outer conductor material / surface finish	copper alloy / CuSnZn-plated
Insulation	cross linked polystyrene
Other metallic parts / surface finish	aluminium / anodised (blue)
Weight, approx.	0.9 kg
Marking	laser engraving

Component Name	Toxic or Hazardous Substances and Elements					
	Pb	Hg	Cd	Cr 6+	PBB	PBDE
Metal parts	X	O	O	O	O	O

The environmental protection use period of 50 years is valid, if the product is used as intended.

General environmental conditions

Operation	
Ambient temperature range	-10 to +55°C
Storage	
Ambient temperature range	-40 to +70°C (in line with EN 60068-2-1 and EN 60068-2-2)

Scope of delivery and accessories

Scope of delivery	calibration certificate, protective caps, protective bag, data sheet, handling instructions
-------------------	---

For further details please visit: <https://products.spinner-group.com/rf/test-measurement>