

Model 442-3 is a portable overhead ionized air blower that produces an air flow rich in positive and negative ions. Directing this air flow on an object that has a static electricity charge, will neutralizes the charge. It uses 3 fans to produce air flow. Air flow volume is controlled by variable speed control. The ionizer features a patented balancing circuit.



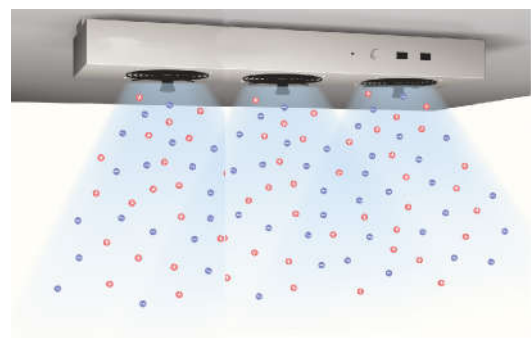
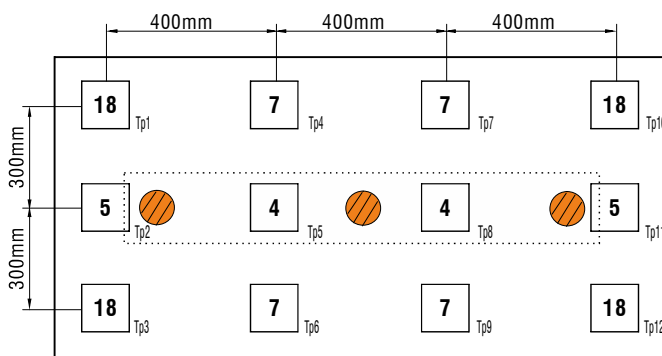
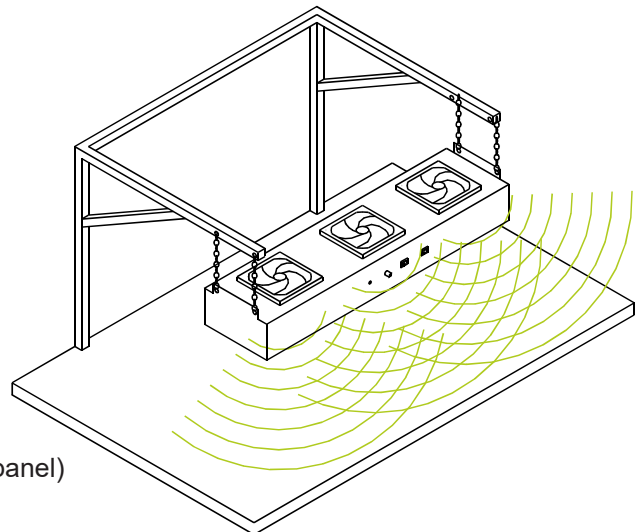
Model: 442-3

Features:

- Rapidly neutralizes static charges
- Ionization indicator lamp
- Covers large area with ionized air
- Variable speed fan with wide range of air flow
- Integrated task lights (2x9 watt twin tube)
- Inherently balanced ion output
- Durable, electrically grounded metal enclosure

Specifications:

- Power Consumption : 80 Watt
- Output Voltage : 5.6 KV AC
- Ion Balance : Adjusted within $\pm 15V$ before delivery (450mm from panel)
- Air Volume : $\leq 1.2 - 2.4 \text{ m}^3/\text{min}$
- Ozone Production : $\leq 0.03 \text{ ppm}$ or below (150mm from centre of air outlet)
- Effective Range : 600 x 1600 mm
- Dimensions (LxWxH) : 1086 x 170 x 90 mm (approx.)
- Weight : approx 9 Kg



Warranty is 12 months from the date of invoice. It excludes any mechanically damaged part.

While the information contained herein in, has been carefully compiled to the best of our knowledge, nothing is intended as representation and warranty on our part; and no statement shall be construed as recommendation to infringe any of existing patents. We accept no liability of whatsoever for any faults and errors in the information contained herein. Contents of this catalogue and specifications of the products, are subject to change without notice due to continuous improvements.

shown trademarks are property of their respective owners.