

shown trademarks are property of their respective owners.

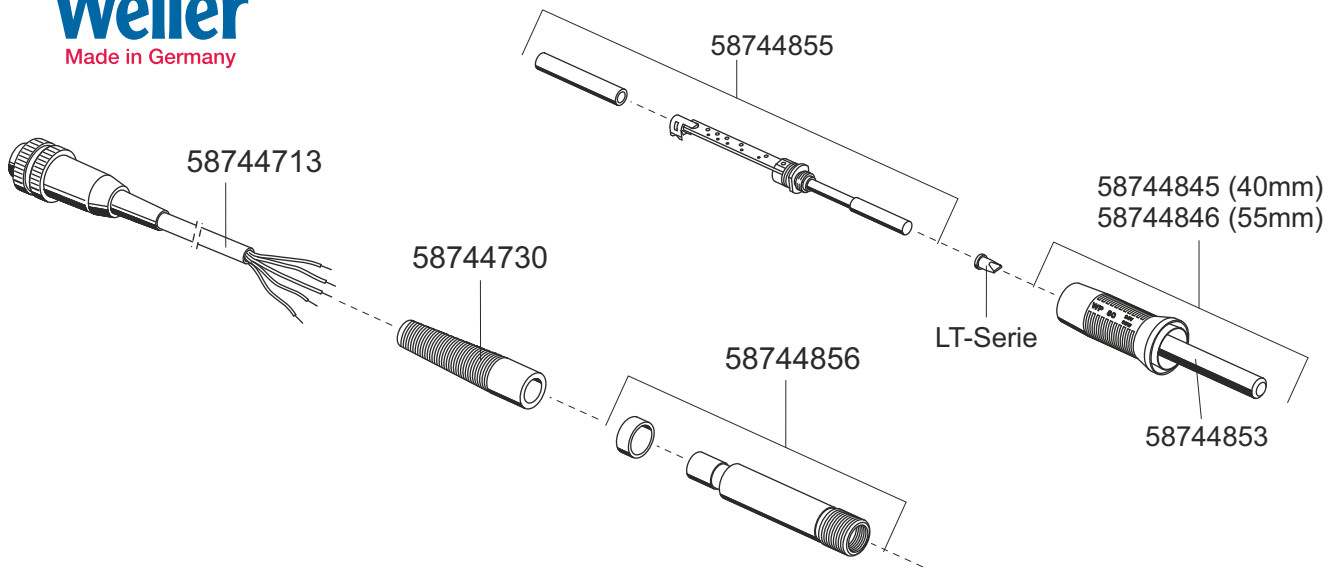
Soldering Tips have no warranty

While the information contained herein in, has been carefully compiled to the best of our knowledge, nothing is intended as representation and warranty on our part; and no statement shall be construed as recommendation to infringe any of existing patents. We accept no liability of whatsoever for any faults and errors in the information contained herein. Contents of this catalogue and specifications of the products, are subject to change without notice due to continuous improvements.

LT series Soldering Tips for WSD81 & WD1000 Soldering Stations, normally immediate delivery

Description	Actual Picture	Dimensional Diagram	Width A (mm)	Part Number
Chisel Tip for leadfree soldering			0.8	LT H
Chisel Tip for leadfree soldering			1.6	LT A
Chisel Tip for leadfree soldering			2.4	LT B
Chisel Tip for leadfree soldering			3.2	LT C
Chisel Tip for leadfree soldering			4.6	LT D
Long Chisel Tip for leadfree soldering			1.2	LT K
Long Chisel Tip for leadfree soldering			2.0	LT L
Round Tip for leadfree soldering			1.6	LT AS
Round Tip for leadfree soldering			3.2	LT CS
Sloped Tip for solar panel			2.4	LT BB
Sloped Tip for solar panel			3.2	LT CC
Soldering Tip for SMD Soldering			2.3	LT GW

shown trademarks are property of their respective owners.
Heating Elements and Soldering Tips have no warranty.
While the information contained herein in, has been carefully compiled to the best of our knowledge, nothing is intended as representation and warranty on our part; and no statement shall be construed as recommendation to infringe any of existing patents. We accept no liability of whatsoever for any faults and errors in the information contained herein. Contents of this catalogue and specifications of the products, are subject to change without notice due to continuous improvements.

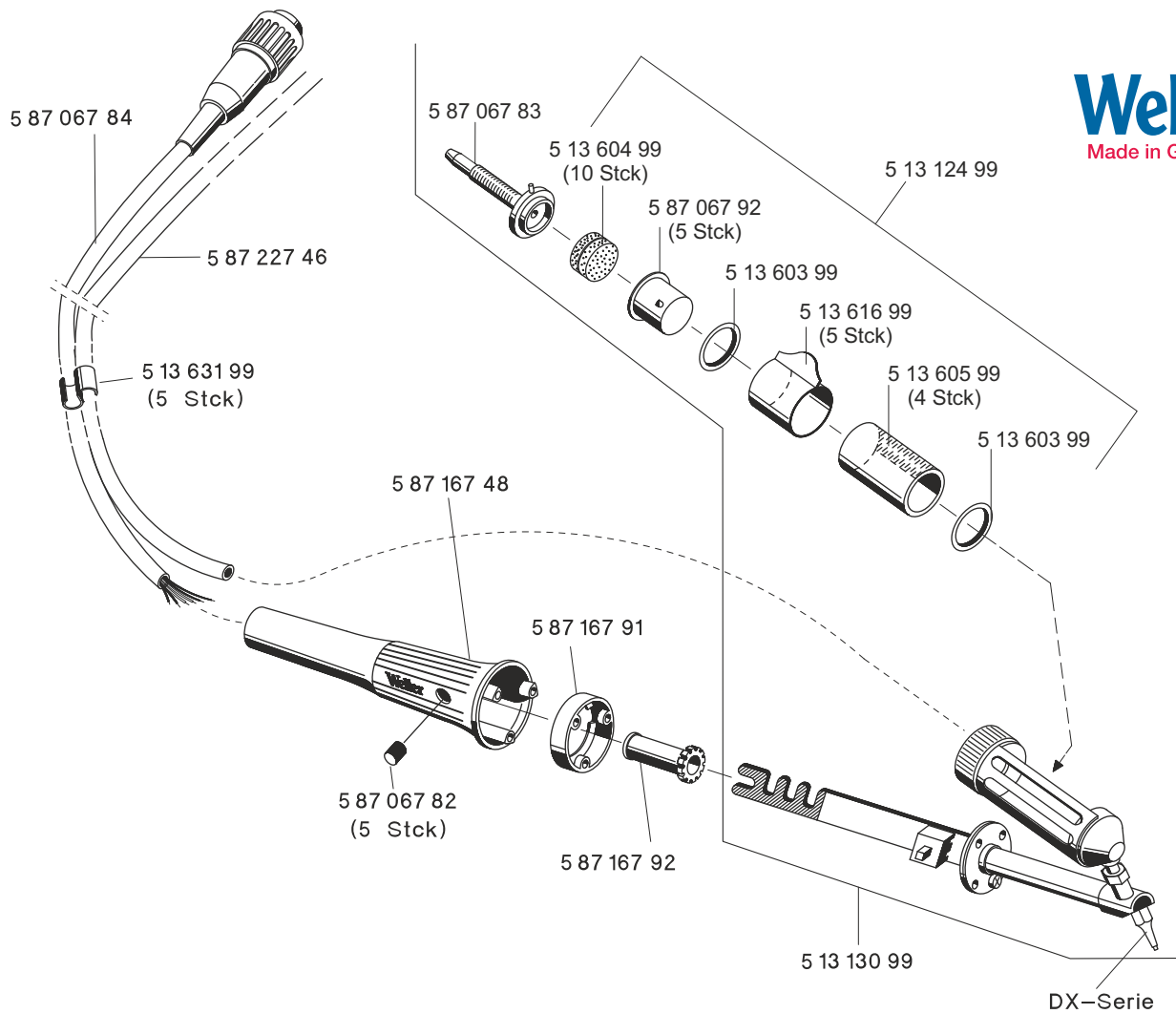


LT series Soldering Tips for WD1000 Soldering Station, normally immediate delivery

Description	Actual Picture	Dimensional Diagram	Width A (mm)	Part Number
Chisel Tip for leadfree soldering			0.8	LT H
Chisel Tip for leadfree soldering			1.6	LT A
Chisel Tip for leadfree soldering			2.4	LT B
Chisel Tip for leadfree soldering			3.2	LT C
Chisel Tip for leadfree soldering			4.6	LT D
Long Chisel Tip for leadfree soldering			1.2	LT K
Long Chisel Tip for leadfree soldering			2.0	LT L
Round Tip for leadfree soldering			1.6	LT AS
Round Tip for leadfree soldering			3.2	LT CS
Sloped Tip for solar panel			2.4	LT BB
Sloped Tip for solar panel			3.2	LT CC
Soldering Tip for SMD Soldering			2.3	LT GW

shown trademarks are property of their respective owners.
Heating Element and Desoldering Tips have no warranty.

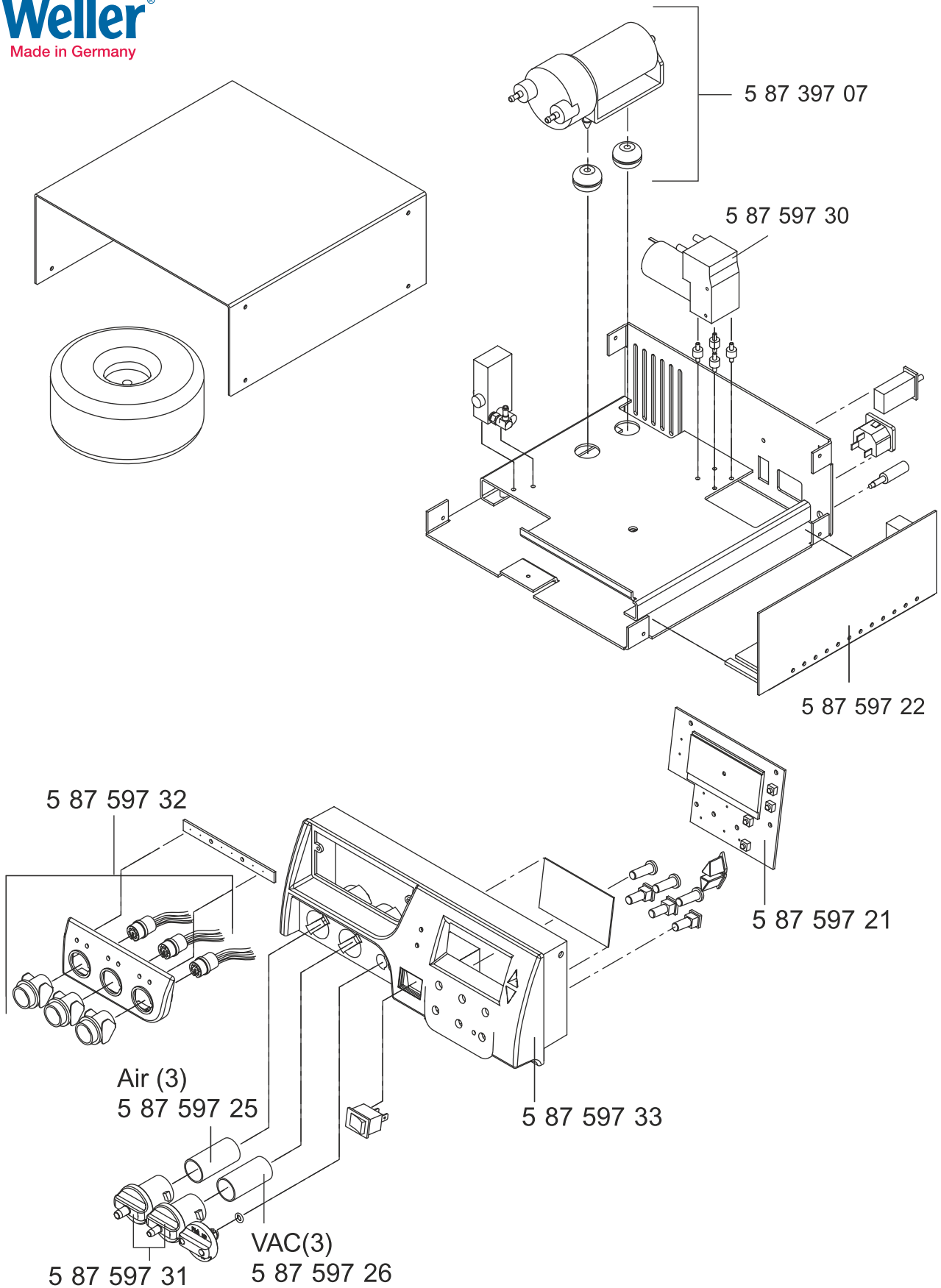
While the information contained herein in, has been carefully compiled to the best of our knowledge, nothing is intended as representation and warranty on our part; and no statement shall be construed as recommendation to infringe any of existing patents. We accept no liability of whatsoever for any faults and errors in the information contained herein. Contents of this catalogue and specifications of the products, are subject to change without notice due to continuous improvements.



DX series Desoldering Nozzles for DSX 80 Desoldering Pencil, normally immediate delivery

Description	Actual Picture	Diagram	Internal Dia (mm)	Part Number
High Mass Desoldering Nozzle			1.2	DX113HM
Desoldering Nozzle for connector desoldering			1.8	DX114
Long reach type Desoldering Nozzle			1.2	DX116
Desoldering Nozzle for grounding terminals			1.5	DX118
Desoldering Nozzle with Needle Triplet Non-Wettable Stainless Steel tube for removal of Solder bridges			1.0	DX119

shown trademarks are property of their respective owners.
There is no warranty for these replacement parts.
While the information contained herein in, has been carefully compiled to the best of our knowledge, nothing is intended as representation and warranty on our part; and no statement shall be construed as recommendation to infringe any of existing patents. We accept no liability of whatsoever for any faults and errors in the information contained herein. Contents of this catalogue and specifications of the products, are subject to change without notice due to continuous improvements.



shown trademarks are property of their respective owners.
Heating Element and Desoldering Tips have no warranty.

While the information contained herein in, has been carefully compiled to the best of our knowledge, nothing is intended as representation and warranty on our part; and no statement shall be construed as recommendation to infringe any of existing patents. We accept no liability of whatsoever for any faults and errors in the information contained herein. Contents of this catalogue and specifications of the products, are subject to change without notice due to continuous improvements.