

ESD Safe Fixed PCB Carrier, L-Type

P/N: APCR 4 - C

It is a 2 side support PCB Carrier of conductive material for stronger PCBs holding. Excellent PCB carriers for work benches, easy to handle and does not occupy much space. Fully earthed simply by placing them on an earthed table

- Holds PCBs on two contiguous edges
- Nestable when not in use
- Size: 207 x 273 x 95mm
- 25 grooves, 9mm pitch, 3mm width



Minimum order quantity = 5

ESD Safe Fixed PCB Carrier

P/N: APCR 1 - C

- Economical carrier for handling soldered or bare PCBs of any size
- Tapered slots to keep PCBs in tapered position
- Easy to carry
- Size: 458 x 140mm
- 25 slots



Minimum order quantity = 5

ESD Safe Component Organizer

P/N: ACO 25 - C

Conductive Component Organizer provides systematic storage of electrostatic sensitive devices. It consists of a cabinet with 25 small drawers

- Size of Cabinet: 400 x 250 x 160mm
- Size of Drawers: 150 x 75 x 35mm



Conductive Storage Supra Bin

P/N: SB-Series

- Made from conductive polypropylene
- Strong rear lip for use with louvred panels
- Strong heavy duty with reinforced base side & stacking rim
- Resistant to most industrial solvents, withstands higher temperatures
- Clear access to contents
- Identification card holder slot

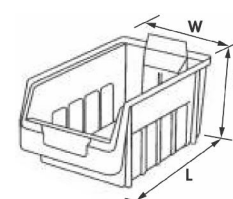


I-SB2-C



I-SB3-C

P/N	Dimensions (External) in mm			Dimensions (Internal) in mm		
	Length	Width	Height	Length	Width	Height
SB2-C	170	100	85	157	80	75
SB3-C	220	130	125	200	115	115



shown trademarks are property of their respective owners.

While the information contained herein in, has been carefully compiled to the best of our knowledge, nothing is intended as representation and warranty on our part; and no statement shall be construed as recommendation to infringe any of existing patents. We accept no liability of whatsoever for any faults and errors in the information contained herein. Contents of this catalogue and specifications of the products, are subject to change without notice due to continuous improvements.



AD3-C Drawers



ABU-C Base Unit

Modular Storage System is an ideal storage system for electrostatic sensitive devices based on standard modules which can be interlocked and stacked one on top of each other.



Special Stopper to stop the drawers when opened fully



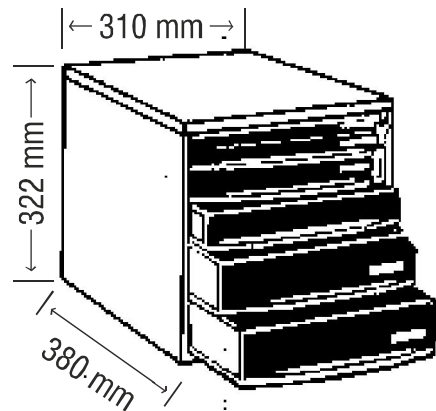
Name plate can be changed by pushing out the paper



Ordering Code

P/N: AMS4L-C Modular System
(includes qty 4 of AD3-C drawers)

Note: Above includes 4 drawers but **DOES NOT** include any containers. Please order containers UC1-C or UC2-C as mentioned separately



**Conductive Utility Containers:
For storage of Small Parts**



Internal Drawer Sizes

P/N: AD3-C = 360 x 265 x 62mm

Sizes of Containers

P/N: UC1-C Size 82 X 82 X 55 mm
(12 containers fit in one AD3-C drawer)
(Minimum order quantity = 12)

P/N: UC2-C Size 170 X 82 X 55 mm
(6 containers fit in one AD3-C drawer)
(Minimum order quantity = 6)

shown trademarks are property of their respective owners.

While the information contained herein in, has been carefully compiled to the best of our knowledge, nothing is intended as representation and warranty on our part; and no statement shall be construed as recommendation to infringe any of existing patents. We accept no liability of whatsoever for any faults and errors in the information contained herein. Contents of this catalogue and specifications of the products, are subject to change without notice due to continuous improvements.